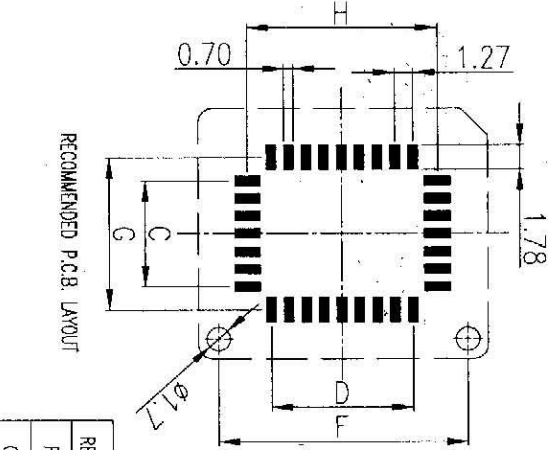
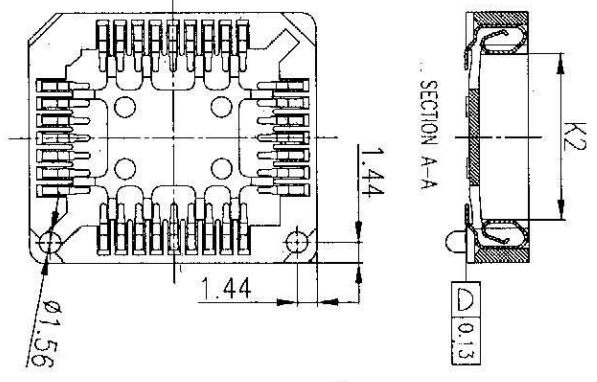
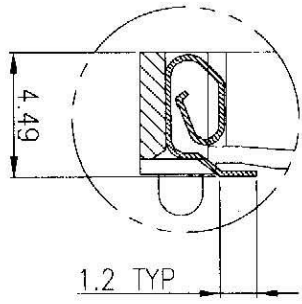
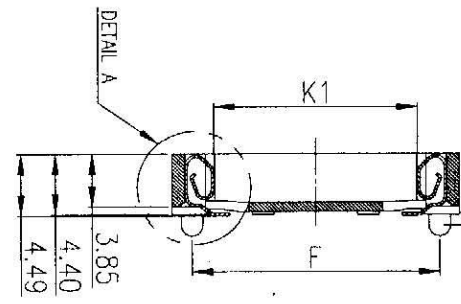
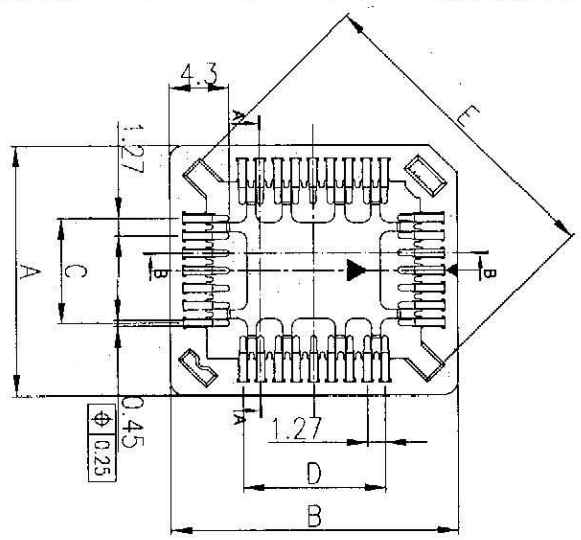


ORDERING INFORMATION
 SERIES NO. **J1612-102**
 TYPE **A**
 NO OF CONTACTS **XX**
 MATERIAL & COLOR **C**
 CONTACT PLATING **XX**
 POLARIZING PEGS **1**
 PACKAGE **XX**
 MARK **0**
 REMARKS **0**

20 DULL PURE TIN
 32 BRIGTH PURE TIN
 52 GOLD FLASH 1 μ MIN.
 84

1-W/O PEGS 535mm (MINI)
 2 WITH PEGS 535mm (WITH PEGS)
 12-TUBE 535mm (W/O PEGS)
 13-TUBE 535mm (W/O PEGS)
 21-TAPE & REEL (24mmB2)
 22-TAPE & REEL (32mmB2)
 23-TAPE & REEL (44mmB2)
 24-TAPE & REEL (50mmB2)
 25-TAPE & REEL (MINI 32mmB2E)



MATERIAL
 THIS PART DON'T CONTAIN ANY SUBSTANCES WHICH ARE SPECIFIED IN SS-500259 INSULATOR: PPS+40% GF (UL94V-0)
 CONTACT: PHOSPHOR BRONZE
 SPECIFICATION
 CURRENT RATING: 1amp
 CONTACT RESISTANCE: 20 m Ω MAX
 INSULATION RESISTANCE: 5000 M Ω MIN
 DIELECTRIC WITHSTANDING VOLTAGE: 600VAC RMS MIN
 OPERATING TEMPERATURE RANGE: -20°C TO +105°C
 DURABILITY: 25 CYCLES, NO ELECTRICAL DEGRADATION

NO. OF CONTACT	A40.20	B40.20	C40.20	D40.20	E40.20	F40.20	G40.20	H40.20	K140.20	K240.20
20P	15.58	15.58	5.08	5.08	17.05	12.70	8.48	8.48	9.41	9.41
28P	18.12	18.12	7.62	7.62	20.70	15.25	11.02	11.02	11.95	11.95
32P	18.12	20.66	7.62	10.16	22.65	17.78	11.02	13.56	14.49	11.95
44P	23.20	23.20	12.70	12.70	27.70	20.32	16.10	16.10	17.05	17.05
52P	25.74	25.74	15.24	15.24	31.55	22.86	18.64	18.64	19.60	19.60
68P	30.82	30.82	20.32	20.32	38.75	27.94	23.72	23.72	24.65	24.65
84P	35.90	35.90	25.40	25.40	46.10	33.02	28.80	28.80	29.63	29.63

General Tolerances

REV.	REVISION RECORD	DATE
F	E-05-01-002	01/11/05*
G	E-05-04-002	05/31/05*
H	1-05-08-009	08/18/05*
I	E-07-05-005	05/22/07*
J	E-07-12-009	12/26/07*

Linear: 0.0 \pm 0.30
 ANGLES: \pm 3'
 UNIT: mm

Jen Jia Precision Co., LTD.

APPROVED	A4	NAME	DATE
DESIGNER	Paul	DATE	08/01/07
DRAWN	Tina	DATE	08/01/07

TITLE: SMT PLCC IC SOCKET
 DWG. NO.: J1612-102-AXXCXXX1000
 SCALE: 2:1
 SHEET: 1 OF 1